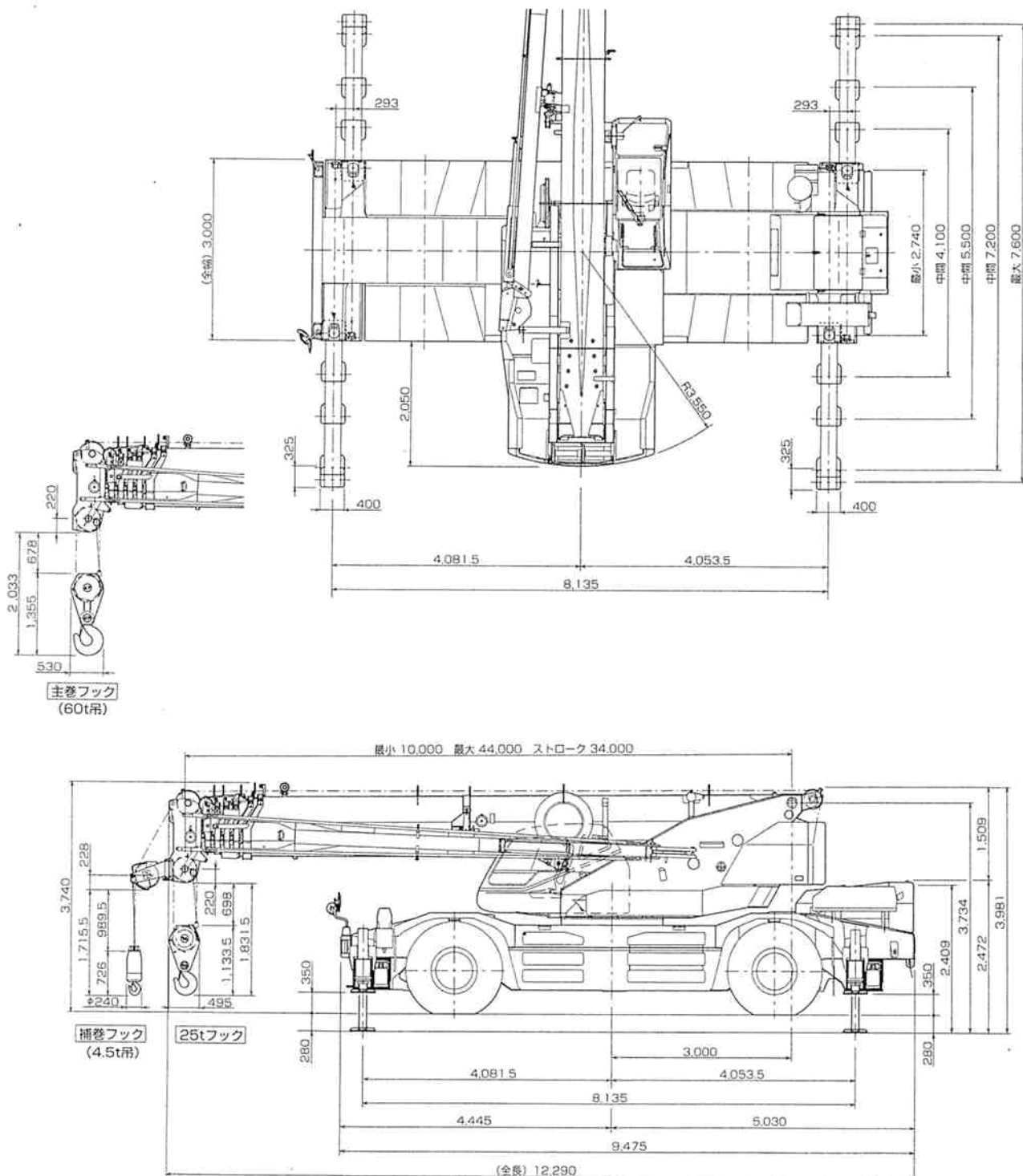


# 60tラフタークレーン

## TADANO GR-600N-1 (CREV0600)

◆外形姿図(1/100) ※道路の通行には特殊車両通行許可が必要です。

単位(mm)



|        |                           |    |          |     |          |
|--------|---------------------------|----|----------|-----|----------|
| ブーム長さ  | 10.0m~44.0m(ジブ8.0m~12.7m) | 全長 | 12,290mm | 全重量 | 39,635kg |
| 最大地上揚程 | ブーム45.0m(ジブ58.0m)         | 全幅 | 3,000mm  | 前軸重 | 19,820kg |
| 最大作業半径 | ブーム38.0m(ジブ42.1m)※前方特別性能  | 全高 | 3,740mm  | 後軸重 | 19,815kg |

◆ 定格総荷重表

単位(t)

| 【前方特別性能】(ブーム) |                         |       |       |       |       |       |       | 【標準性能】(ブーム)        |       |       |       |       |       |       |                     |       |       |       |       |       |       |  |  |
|---------------|-------------------------|-------|-------|-------|-------|-------|-------|--------------------|-------|-------|-------|-------|-------|-------|---------------------|-------|-------|-------|-------|-------|-------|--|--|
| ブーム長さ<br>作業半径 | アウトリガ前方全張出・後方5.5m以上<前方> |       |       |       |       |       |       | アウトリガ全張出(7.6m)<全周> |       |       |       |       |       |       | アウトリガ中間張出(7.2m)<側方> |       |       |       |       |       |       |  |  |
|               | 10.0m                   | 16.8m | 23.6m | 30.4m | 37.2m | 41.2m | 44.0m | 10.0m              | 16.8m | 23.6m | 30.4m | 37.2m | 41.2m | 44.0m | 10.0m               | 16.8m | 23.6m | 30.4m | 37.2m | 41.2m | 44.0m |  |  |
| 2.8m          | 60.00                   | 30.00 | 22.00 | 12.50 |       |       |       | 60.00              | 30.00 | 22.00 | 12.50 |       |       |       | 55.00               | 30.00 | 22.00 | 12.50 |       |       |       |  |  |
| 3.0m          | 56.50                   | 30.00 | 22.00 | 12.50 |       |       |       | 56.50              | 30.00 | 22.00 | 12.50 |       |       |       | 55.00               | 30.00 | 22.00 | 12.50 |       |       |       |  |  |
| 3.5m          | 50.50                   | 30.00 | 22.00 | 12.50 |       |       |       | 50.50              | 30.00 | 22.00 | 12.50 |       |       |       | 50.00               | 30.00 | 22.00 | 12.50 |       |       |       |  |  |
| 4.0m          | 46.00                   | 30.00 | 22.00 | 12.50 | 11.50 |       |       | 46.00              | 30.00 | 22.00 | 12.50 | 11.50 |       |       | 45.50               | 30.00 | 22.00 | 12.50 | 11.50 |       |       |  |  |
| 4.5m          | 41.90                   | 30.00 | 22.00 | 12.50 | 11.50 | 9.50  |       | 41.90              | 30.00 | 22.00 | 12.50 | 11.50 | 9.50  |       | 41.50               | 30.00 | 22.00 | 12.50 | 11.50 | 9.50  |       |  |  |
| 5.0m          | 38.40                   | 30.00 | 22.00 | 12.50 | 11.50 | 9.50  | 7.50  | 38.40              | 30.00 | 22.00 | 12.50 | 11.50 | 9.50  | 7.50  | 38.00               | 30.00 | 22.00 | 12.50 | 11.50 | 9.50  | 7.50  |  |  |
| 5.5m          | 35.30                   | 30.00 | 22.00 | 12.50 | 11.50 | 9.50  | 7.50  | 35.30              | 30.00 | 22.00 | 12.50 | 11.50 | 9.50  | 7.50  | 34.90               | 30.00 | 22.00 | 12.50 | 11.50 | 9.50  | 7.50  |  |  |
| 6.0m          | 32.50                   | 30.00 | 21.50 | 12.50 | 11.50 | 9.50  | 7.50  | 32.50              | 30.00 | 21.50 | 12.50 | 11.50 | 9.50  | 7.50  | 32.00               | 30.00 | 21.50 | 12.50 | 11.50 | 9.50  | 7.50  |  |  |
| 6.5m          | 29.50                   | 28.50 | 20.20 | 12.50 | 11.50 | 9.50  | 7.50  | 29.50              | 28.50 | 20.20 | 12.50 | 11.50 | 9.50  | 7.50  | 29.50               | 28.50 | 20.20 | 12.50 | 11.50 | 9.50  | 7.50  |  |  |
| 7.0m          | 26.80                   | 26.00 | 19.00 | 12.50 | 11.50 | 9.50  | 7.50  | 26.80              | 26.00 | 19.00 | 12.50 | 11.50 | 9.50  | 7.50  | 26.80               | 26.00 | 19.00 | 12.50 | 11.50 | 9.50  | 7.50  |  |  |
| 8.0m          |                         | 22.00 | 16.90 | 12.50 | 11.50 | 9.50  | 7.50  |                    | 22.00 | 16.90 | 12.50 | 11.50 | 9.50  | 7.50  |                     | 20.20 | 16.90 | 12.50 | 11.50 | 9.50  | 7.50  |  |  |
| 9.0m          |                         | 19.00 | 15.20 | 12.50 | 11.50 | 9.50  | 7.50  |                    | 17.50 | 15.20 | 12.50 | 11.50 | 9.50  | 7.50  |                     | 15.80 | 15.20 | 12.50 | 11.50 | 9.50  | 7.50  |  |  |
| 10.0m         |                         | 16.00 | 13.70 | 12.20 | 10.70 | 9.50  | 7.50  |                    | 14.20 | 13.70 | 12.20 | 10.70 | 9.50  | 7.50  |                     | 12.90 | 12.20 | 12.20 | 10.70 | 9.50  | 7.50  |  |  |
| 11.0m         |                         | 13.20 | 12.20 | 11.20 | 9.90  | 9.00  | 7.50  |                    | 11.70 | 11.40 | 11.20 | 9.90  | 9.00  | 7.50  |                     | 10.60 | 10.40 | 11.20 | 9.90  | 9.00  | 7.50  |  |  |
| 12.0m         |                         | 11.00 | 11.00 | 10.20 | 9.00  | 8.30  | 7.10  |                    | 9.80  | 9.60  | 10.20 | 9.00  | 8.30  | 7.10  |                     | 8.90  | 8.60  | 9.90  | 9.00  | 8.30  | 7.10  |  |  |
| 13.0m         |                         | 9.50  | 9.30  | 9.20  | 8.20  | 7.80  | 6.70  |                    | 8.40  | 8.15  | 9.00  | 8.20  | 7.80  | 6.70  |                     | 7.50  | 7.30  | 8.50  | 8.20  | 7.80  | 6.70  |  |  |
| 14.0m         |                         |       | 8.00  | 8.40  | 7.70  | 7.20  | 6.20  |                    |       | 6.95  | 8.10  | 7.70  | 7.20  | 6.20  |                     |       | 6.15  | 7.30  | 7.70  | 7.20  | 6.20  |  |  |
| 16.0m         |                         |       | 5.90  | 6.85  | 6.60  | 6.20  | 5.50  |                    |       | 5.10  | 6.15  | 6.40  | 6.20  | 5.50  |                     |       | 4.40  | 5.60  | 6.25  | 6.20  | 5.50  |  |  |
| 18.0m         |                         |       | 4.50  | 5.35  | 5.70  | 5.50  | 4.90  |                    |       | 3.70  | 4.75  | 5.30  | 5.40  | 4.90  |                     |       | 3.20  | 4.30  | 4.90  | 5.10  | 4.90  |  |  |
| 20.0m         |                         |       | 3.40  | 4.20  | 4.75  | 4.80  | 4.50  |                    |       | 2.70  | 3.70  | 4.20  | 4.45  | 4.50  |                     |       | 2.25  | 3.20  | 3.85  | 4.05  | 4.30  |  |  |
| 22.0m         |                         |       |       | 3.35  | 3.90  | 4.05  | 4.05  |                    |       |       | 2.80  | 3.35  | 3.60  | 3.70  |                     |       |       | 2.40  | 3.00  | 3.25  | 3.40  |  |  |
| 24.0m         |                         |       |       | 2.65  | 3.20  | 3.30  | 3.45  |                    |       |       | 2.10  | 2.60  | 2.90  | 3.05  |                     |       |       | 1.75  | 2.30  | 2.55  | 2.70  |  |  |
| 26.0m         |                         |       |       | 2.05  | 2.60  | 2.75  | 2.85  |                    |       |       | 1.45  | 2.05  | 2.30  | 2.35  |                     |       |       | 1.20  | 1.75  | 1.95  | 2.05  |  |  |
| 28.0m         |                         |       |       |       | 2.10  | 2.25  | 2.35  |                    |       |       |       | 1.55  | 1.70  | 1.80  |                     |       |       |       | 1.25  | 1.45  | 1.60  |  |  |
| 30.0m         |                         |       |       |       | 1.65  | 1.80  | 1.90  |                    |       |       |       | 1.10  | 1.35  | 1.45  |                     |       |       |       | 0.85  | 1.50  | 1.20  |  |  |
| 32.0m         |                         |       |       |       | 1.25  | 1.45  | 1.55  |                    |       |       |       | 0.70  | 0.95  | 1.05  |                     |       |       |       |       | 0.70  | 0.85  |  |  |
| 34.0m         |                         |       |       |       | 0.90  | 1.10  | 1.20  |                    |       |       |       |       | 0.65  | 0.75  |                     |       |       |       |       |       | 0.50  |  |  |
| 35.0m         |                         |       |       |       |       | 0.95  | 1.05  |                    |       |       |       |       |       | 0.60  |                     |       |       |       |       |       |       |  |  |
| 36.0m         |                         |       |       |       |       | 0.80  | 0.90  |                    |       |       |       |       |       |       |                     |       |       |       |       |       |       |  |  |
| 38.0m         |                         |       |       |       |       |       | 0.65  |                    |       |       |       |       |       |       |                     |       |       |       |       |       |       |  |  |
| ☆             |                         |       | 0°    |       |       | 20°   |       |                    |       | 0°    |       | 10°   | 26°   | 31°   |                     |       | 0°    |       | 24°   | 30°   | 34°   |  |  |

| 【標準性能】(ブーム)   |                     |       |       |       |       |       |       |                     |       |       |       |       |       |       |                      |       |       |       |       |       |       |     |     |     |
|---------------|---------------------|-------|-------|-------|-------|-------|-------|---------------------|-------|-------|-------|-------|-------|-------|----------------------|-------|-------|-------|-------|-------|-------|-----|-----|-----|
| ブーム長さ<br>作業半径 | アウトリガ中間張出(5.5m)<側方> |       |       |       |       |       |       | アウトリガ中間張出(4.1m)<側方> |       |       |       |       |       |       | アウトリガ最小張出(2.74m)<側方> |       |       |       |       |       |       |     |     |     |
|               | 10.0m               | 16.8m | 23.6m | 30.4m | 37.2m | 41.2m | 44.0m | 10.0m               | 16.8m | 23.6m | 30.4m | 37.2m | 41.2m | 44.0m | 10.0m                | 16.8m | 23.6m | 30.4m | 37.2m | 41.2m | 44.0m |     |     |     |
| 2.8m          | 50.00               | 30.00 | 22.00 | 12.50 |       |       |       | 45.00               | 30.00 | 22.00 | 12.50 |       |       |       | 25.00                | 20.00 | 14.00 | 10.00 |       |       |       |     |     |     |
| 3.0m          | 50.00               | 30.00 | 22.00 | 12.50 |       |       |       | 45.00               | 30.00 | 22.00 | 12.50 |       |       |       | 25.00                | 20.00 | 14.00 | 10.00 |       |       |       |     |     |     |
| 3.5m          | 45.50               | 30.00 | 22.00 | 12.50 |       |       |       | 39.60               | 30.00 | 22.00 | 12.50 |       |       |       | 20.50                | 19.50 | 14.00 | 10.00 |       |       |       |     |     |     |
| 4.0m          | 40.80               | 30.00 | 22.00 | 12.50 | 11.50 |       |       | 30.00               | 30.00 | 22.00 | 12.50 | 11.50 |       |       | 16.20                | 15.50 | 14.00 | 10.00 | 9.00  |       |       |     |     |     |
| 4.5m          | 36.90               | 30.00 | 22.00 | 12.50 | 11.50 | 9.50  |       | 23.80               | 23.10 | 22.00 | 12.50 | 11.50 | 9.50  |       | 13.20                | 12.60 | 12.20 | 10.00 | 9.00  | 7.50  |       |     |     |     |
| 5.0m          | 33.60               | 30.00 | 22.00 | 12.50 | 11.50 | 9.50  | 7.50  | 19.50               | 19.00 | 18.60 | 12.50 | 11.50 | 9.50  | 7.50  | 11.00                | 10.40 | 10.10 | 10.00 | 9.00  | 7.50  | 6.50  |     |     |     |
| 5.5m          | 26.80               | 26.30 | 22.00 | 12.50 | 11.50 | 9.50  | 7.50  | 16.50               | 15.80 | 15.50 | 12.50 | 11.50 | 9.50  | 7.50  | 9.20                 | 8.70  | 8.40  | 9.70  | 9.00  | 7.50  | 6.50  |     |     |     |
| 6.0m          | 22.50               | 22.20 | 21.50 | 12.50 | 11.50 | 9.50  | 7.50  | 14.00               | 13.40 | 13.20 | 12.50 | 11.50 | 9.50  | 7.50  | 7.80                 | 7.30  | 7.10  | 8.30  | 9.00  | 7.50  | 6.50  |     |     |     |
| 6.5m          | 19.20               | 19.00 | 18.80 | 12.50 | 11.50 | 9.50  | 7.50  | 12.00               | 11.50 | 11.40 | 12.50 | 11.50 | 9.50  | 7.50  | 6.80                 | 6.30  | 6.10  | 7.20  | 8.00  | 7.50  | 6.50  |     |     |     |
| 7.0m          | 16.40               | 16.30 | 16.10 | 12.50 | 11.5  | 9.50  | 7.50  | 10.60               | 10.00 | 9.90  | 10.90 | 11.50 | 9.50  | 7.50  | 6.00                 | 5.30  | 5.20  | 6.30  | 7.10  | 7.00  | 6.50  |     |     |     |
| 8.0m          |                     | 12.50 | 12.40 | 12.50 | 11.50 | 9.50  | 7.50  |                     | 7.60  | 7.40  | 8.60  | 9.15  | 9.50  | 7.50  |                      | 4.00  | 3.80  | 4.85  | 5.60  | 5.90  | 6.10  |     |     |     |
| 9.0m          |                     | 9.90  | 9.70  | 10.90 | 11.50 | 9.50  | 7.50  |                     | 6.00  | 5.80  | 6.90  | 7.50  | 8.00  | 7.50  |                      | 3.00  | 2.70  | 3.70  | 4.40  | 4.70  | 4.80  |     |     |     |
| 10.0m         |                     | 8.00  | 7.80  | 8.90  | 9.60  | 9.50  | 7.50  |                     | 4.80  | 4.60  | 5.65  | 6.20  | 6.70  | 6.70  |                      | 2.00  | 1.70  | 2.80  | 3.50  | 3.75  | 3.90  |     |     |     |
| 11.0m         |                     | 6.60  | 6.40  | 7.50  | 8.10  | 8.30  | 7.50  |                     | 3.80  | 3.60  | 4.65  | 5.20  | 5.55  | 5.55  |                      | 1.30  | 1.00  | 2.10  | 2.75  | 2.90  | 3.10  |     |     |     |
| 12.0m         |                     | 5.50  | 5.20  | 6.30  | 7.00  | 7.10  | 7.10  |                     | 3.00  | 2.80  | 3.75  | 4.40  | 4.65  | 4.70  |                      | 0.60  |       | 1.40  | 2.05  | 2.25  | 2.40  |     |     |     |
| 13.0m         |                     | 4.50  | 4.40  | 5.40  | 6.00  | 6.20  | 6.40  |                     | 2.30  | 2.00  | 3.10  | 3.60  | 3.90  | 4.00  |                      |       |       |       | 1.50  | 1.70  | 1.85  |     |     |     |
| 14.0m         |                     |       | 3.60  | 4.60  | 5.20  | 5.40  | 5.60  |                     |       | 1.30  | 2.40  | 3.05  | 3.25  | 3.35  |                      |       |       |       |       |       |       |     |     |     |
| 16.0m         |                     |       | 2.20  | 3.25  | 3.80  | 4.05  | 4.25  |                     |       |       | 1.35  | 2.00  | 2.20  | 2.35  |                      |       |       |       |       |       |       |     |     |     |
| 18.0m         |                     |       | 1.20  | 2.20  | 2.85  | 3.00  | 3.20  |                     |       |       |       | 1.20  | 1.40  | 1.55  |                      |       |       |       |       |       |       |     |     |     |
| 20.0m         |                     |       |       | 1.40  | 2.00  | 2.25  | 2.40  |                     |       |       |       |       |       | 0.95  |                      |       |       |       |       |       |       |     |     |     |
| 22.0m         |                     |       |       | 0.75  | 1.35  | 1.60  | 1.70  |                     |       |       |       |       |       |       |                      |       |       |       |       |       |       |     |     |     |
| 24.0m         |                     |       |       |       | 0.80  | 1.05  | 1.20  |                     |       |       |       |       |       |       |                      |       |       |       |       |       |       |     |     |     |
| 26.0m         |                     |       |       |       |       |       | 0.75  |                     |       |       |       |       |       |       |                      |       |       |       |       |       |       |     |     |     |
| ☆             |                     |       | 0°    | 16°   | 33°   | 42°   | 49°   | 50°                 |       |       | 0°    | 40°   | 49°   | 55°   | 59°                  | 60°   |       | 0°    | 31°   | 53°   | 61°   | 67° | 70° | 70° |

◆ 定格総荷重表 【標準性能】(ジブ)

| 44.0mブーム+8.0mジブ    |      |       |                    |      |       |                    |      |       |                    |      |       |
|--------------------|------|-------|--------------------|------|-------|--------------------|------|-------|--------------------|------|-------|
| ブーム最大張出(7.6m) <全周> |      |       | ブーム中間張出(7.2m) <側方> |      |       | ブーム中間張出(5.5m) <側方> |      |       | ブーム中間張出(4.1m) <側方> |      |       |
| ブーム角度              | 作業半径 | 定格総荷重 | ブーム角度              | 作業半径 | 定格総荷重 | ブーム角度              | 作業半径 | 定格総荷重 | ブーム角度              | 作業半径 | 定格総荷重 |
| 83.5°              | 6.6  | 3.50  | 83.5°              | 6.3  | 3.50  | 83.5°              | 6.3  | 3.50  | 83.5°              | 6.3  | 3.50  |
| 76.0°              | 14.2 | 3.50  | 76.0°              | 14.2 | 3.50  | 76.0°              | 14.2 | 3.50  | 76.0°              | 12.1 | 3.50  |
| 74.0°              | 16.2 | 3.50  | 74.0°              | 16.2 | 3.50  | 74.0°              | 16.2 | 3.50  | 74.0°              | 14.0 | 3.30  |
| 72.0°              | 17.9 | 3.25  | 72.0°              | 17.9 | 3.25  | 72.0°              | 17.9 | 3.25  | 74.0°              | 15.6 | 2.40  |
| 70.0°              | 19.7 | 2.90  | 70.0°              | 19.7 | 2.90  | 70.0°              | 19.4 | 2.45  | 72.0°              | 17.2 | 1.75  |
| 68.0°              | 21.2 | 2.60  | 68.0°              | 21.2 | 2.60  | 68.0°              | 20.9 | 1.90  | 70.0°              | 17.2 | 1.75  |
| 65.0°              | 23.7 | 2.20  | 65.0°              | 23.7 | 2.20  | 65.0°              | 23.0 | 1.15  | 70.0°              | 18.7 | 1.10  |
| 60.0°              | 27.5 | 1.70  | 60.0°              | 27.3 | 1.55  | 60.0°              | 25.2 | 0.60  |                    |      |       |
| 55.0°              | 30.8 | 1.00  | 55.0°              | 30.7 | 0.75  | 55.0°              |      |       |                    |      |       |
| 53.0°              | 32.1 | 0.75  | 53.0°              | 31.9 | 0.50  | 53.0°              |      |       |                    |      |       |
| 51.0°              | 33.3 | 0.50  |                    |      |       |                    |      |       |                    |      |       |
| ☆                  |      |       | 50°                |      |       | 52°                |      |       | 59°                |      |       |
|                    |      |       | ☆                  |      |       | ☆                  |      |       | ☆                  |      |       |

| 44.0mブーム+12.7mジブ   |      |       |       |                    |       |       |      |                    |       |      |       |                    |      |       |  |
|--------------------|------|-------|-------|--------------------|-------|-------|------|--------------------|-------|------|-------|--------------------|------|-------|--|
| ブーム最大張出(7.6m) <全周> |      |       |       | ブーム中間張出(7.2m) <側方> |       |       |      | ブーム中間張出(5.5m) <側方> |       |      |       | ブーム中間張出(4.1m) <側方> |      |       |  |
| ブーム角度              | 作業半径 | 定格総荷重 | ブーム角度 | 作業半径               | 定格総荷重 | ブーム角度 | 作業半径 | 定格総荷重              | ブーム角度 | 作業半径 | 定格総荷重 | ブーム角度              | 作業半径 | 定格総荷重 |  |
| 83.5°              | 7.4  | 2.50  | 83.5° | 7.4                | 2.50  | 83.5° | 7.4  | 2.50               | 83.5° | 7.4  | 2.50  | 83.5°              | 7.4  | 2.50  |  |
| 76.0°              | 16.1 | 2.50  | 76.0° | 16.1               | 2.50  | 76.0° | 16.1 | 2.50               | 76.0° | 13.9 | 2.50  | 76.0°              | 13.9 | 2.50  |  |
| 74.0°              | 18.3 | 2.50  | 74.0° | 18.3               | 2.50  | 74.0° | 18.3 | 2.50               | 76.0° | 16.1 | 2.50  | 76.0°              | 16.1 | 2.50  |  |
| 72.0°              | 20.5 | 2.50  | 72.0° | 20.5               | 2.50  | 72.0° | 20.5 | 2.50               | 74.0° | 18.0 | 2.00  | 74.0°              | 18.0 | 2.00  |  |
| 70.0°              | 22.3 | 2.25  | 70.0° | 22.3               | 2.25  | 70.0° | 19.5 | 1.95               | 72.0° | 19.6 | 1.45  | 72.0°              | 19.6 | 1.45  |  |
| 68.0°              | 24.2 | 2.05  | 68.0° | 24.2               | 2.05  | 68.0° | 14.5 | 1.45               | 70.0° | 21.2 | 0.95  | 70.0°              | 21.2 | 0.95  |  |
| 65.0°              | 26.7 | 1.75  | 65.0° | 26.7               | 1.75  | 65.0° | 26.7 | 1.20               | 70.0° |      |       | 70.0°              |      |       |  |
| 60.0°              | 30.8 | 1.35  | 60.0° | 30.6               | 1.20  | 60.0° | 29.2 | 0.85               | 70.0° |      |       | 70.0°              |      |       |  |
| 55.0°              | 34.3 | 0.75  | 55.0° | 34.1               | 0.50  | 55.0° |      |                    | 70.0° |      |       | 70.0°              |      |       |  |
| 53.0°              | 35.7 | 0.55  | 53.0° | 35.7               | 0.55  | 53.0° |      |                    | 70.0° |      |       | 70.0°              |      |       |  |
| ☆                  |      |       | 52°   |                    |       | 59°   |      |                    | 64°   |      |       | 69°                |      |       |  |
|                    |      |       | ☆     |                    |       | ☆     |      |                    | ☆     |      |       | ☆                  |      |       |  |

◆定格総荷重表【標準性能】(ジツ)

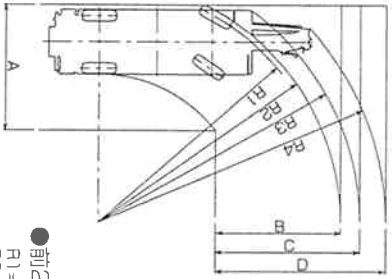
| 41.2mラフター+8.0mジツ     |      |       |                      |      |       |                      |      |       |                      |      |       |
|----------------------|------|-------|----------------------|------|-------|----------------------|------|-------|----------------------|------|-------|
| ラフトリが最大張出(7.6m) <全周> |      |       | ラフトリが中間張出(7.2m) <側方> |      |       | ラフトリが中間張出(5.5m) <側方> |      |       | ラフトリが中間張出(4.1m) <側方> |      |       |
| ラフトリ角度               | 作業半径 | 定格総荷重 | ラフトリ角度               | 作業半径 | 定格総荷重 | ラフトリ角度               | 作業半径 | 定格総荷重 | ラフトリ角度               | 作業半径 | 定格総荷重 |
| 7.6°                 | 5.7  | 3.80  | 7.6°                 | 5.7  | 3.80  | 7.6°                 | 5.7  | 3.80  | 7.6°                 | 5.7  | 3.80  |
| 13.0°                | 3.80 | 15.2  | 13.0°                | 3.80 | 15.2  | 13.0°                | 3.80 | 15.2  | 13.0°                | 3.80 | 15.2  |
| 14.8°                | 3.80 | 17.0  | 14.8°                | 3.80 | 17.0  | 14.8°                | 3.80 | 17.0  | 14.8°                | 3.80 | 17.0  |
| 16.6°                | 3.75 | 18.7  | 16.6°                | 3.75 | 18.7  | 16.6°                | 3.75 | 18.7  | 16.6°                | 3.75 | 18.7  |
| 18.3°                | 3.40 | 20.3  | 18.3°                | 3.40 | 20.3  | 18.3°                | 3.40 | 20.3  | 18.3°                | 3.40 | 20.3  |
| 19.9°                | 3.05 | 21.9  | 19.9°                | 3.05 | 21.9  | 19.9°                | 3.05 | 21.9  | 19.9°                | 3.05 | 21.9  |
| 22.2°                | 2.70 | 24.0  | 22.2°                | 2.70 | 24.0  | 22.2°                | 2.70 | 24.0  | 22.2°                | 2.70 | 24.0  |
| 25.8°                | 2.10 | 27.4  | 25.8°                | 2.10 | 27.4  | 25.8°                | 2.10 | 27.4  | 25.8°                | 2.10 | 27.4  |
| 29.1°                | 1.25 | 30.5  | 29.1°                | 1.25 | 30.5  | 29.1°                | 1.25 | 30.5  | 29.1°                | 1.25 | 30.5  |
| 30.3°                | 1.00 | 31.6  | 30.3°                | 1.00 | 31.6  | 30.3°                | 1.00 | 31.6  | 30.3°                | 1.00 | 31.6  |
| 32.0°                | 0.70 | 33.2  | 32.0°                | 0.70 | 33.2  | 32.0°                | 0.70 | 33.2  | 32.0°                | 0.70 | 33.2  |
| ☆                    |      |       | ☆                    |      |       | ☆                    |      |       | ☆                    |      |       |

| 41.2mラフター+12.7mジツ    |      |       |        |                      |       |        |      |                      |        |      |       |                      |      |       |  |
|----------------------|------|-------|--------|----------------------|-------|--------|------|----------------------|--------|------|-------|----------------------|------|-------|--|
| ラフトリが最大張出(7.6m) <全周> |      |       |        | ラフトリが中間張出(7.2m) <側方> |       |        |      | ラフトリが中間張出(5.5m) <側方> |        |      |       | ラフトリが中間張出(4.1m) <側方> |      |       |  |
| ラフトリ角度               | 作業半径 | 定格総荷重 | ラフトリ角度 | 作業半径                 | 定格総荷重 | ラフトリ角度 | 作業半径 | 定格総荷重                | ラフトリ角度 | 作業半径 | 定格総荷重 | ラフトリ角度               | 作業半径 | 定格総荷重 |  |
| 7.6°                 | 7.0  | 2.60  | 7.6°   | 7.0                  | 2.60  | 7.6°   | 7.0  | 2.60                 | 7.6°   | 7.0  | 2.60  | 7.6°                 | 7.0  | 2.60  |  |
| 14.9°                | 2.60 | 18.3  | 14.9°  | 2.60                 | 18.3  | 14.9°  | 2.60 | 18.3                 | 14.9°  | 2.60 | 18.3  | 14.9°                | 2.60 | 18.3  |  |
| 16.9°                | 2.60 | 20.1  | 16.9°  | 2.60                 | 20.1  | 16.9°  | 2.60 | 20.1                 | 16.9°  | 2.60 | 20.1  | 16.9°                | 2.60 | 20.1  |  |
| 18.9°                | 2.60 | 21.9  | 18.9°  | 2.60                 | 21.9  | 18.9°  | 2.60 | 21.9                 | 18.9°  | 2.60 | 21.9  | 18.9°                | 2.60 | 21.9  |  |
| 20.7°                | 2.40 | 23.7  | 20.7°  | 2.40                 | 23.7  | 20.7°  | 2.40 | 23.7                 | 20.7°  | 2.40 | 23.7  | 20.7°                | 2.40 | 23.7  |  |
| 22.4°                | 2.20 | 25.4  | 22.4°  | 2.20                 | 25.4  | 22.4°  | 2.20 | 25.4                 | 22.4°  | 2.20 | 25.4  | 22.4°                | 2.20 | 25.4  |  |
| 25.1°                | 2.00 | 27.7  | 25.1°  | 2.00                 | 27.7  | 25.1°  | 2.00 | 27.7                 | 25.1°  | 2.00 | 27.7  | 25.1°                | 2.00 | 27.7  |  |
| 29.0°                | 1.65 | 31.5  | 29.0°  | 1.65                 | 31.5  | 29.0°  | 1.65 | 31.5                 | 29.0°  | 1.65 | 31.5  | 29.0°                | 1.65 | 31.5  |  |
| 32.5°                | 1.05 | 34.9  | 32.5°  | 1.05                 | 34.9  | 32.5°  | 1.05 | 34.9                 | 32.5°  | 1.05 | 34.9  | 32.5°                | 1.05 | 34.9  |  |
| 33.8°                | 0.85 | 36.1  | 33.8°  | 0.85                 | 36.1  | 33.8°  | 0.85 | 36.1                 | 33.8°  | 0.85 | 36.1  | 33.8°                | 0.85 | 36.1  |  |
| 35.0°                | 0.55 | 37.9  | 35.0°  | 0.55                 | 37.9  | 35.0°  | 0.55 | 37.9                 | 35.0°  | 0.55 | 37.9  | 35.0°                | 0.55 | 37.9  |  |
| ☆                    |      |       | ☆      |                      |       | ☆      |      |                      | ☆      |      |       | ☆                    |      |       |  |

◆ 定格総荷重表【前方特別性能】(ジブ)

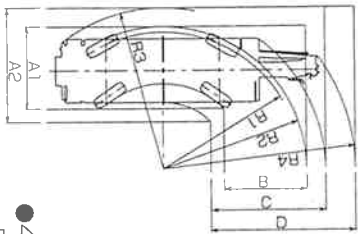
| 41.2m+8.0mジブ |      |       |      |       |      |       |      |       |      | 41.2m+12.7mジブ |      |       |      |       |      |       |      |       |      | 44.0m+8.0mジブ |      |       |      |       |      |       |      |       |      | 44.0m+12.7mジブ |      |       |      |       |      |       |      |       |      |       |     |  |  |  |  |  |  |  |  |
|--------------|------|-------|------|-------|------|-------|------|-------|------|---------------|------|-------|------|-------|------|-------|------|-------|------|--------------|------|-------|------|-------|------|-------|------|-------|------|---------------|------|-------|------|-------|------|-------|------|-------|------|-------|-----|--|--|--|--|--|--|--|--|
| ジブ角度         | 作業半径 | 定格総荷重 | 作業半径 | 定格総荷重 | 作業半径 | 定格総荷重 | 作業半径 | 定格総荷重 | 作業半径 | ジブ角度          | 作業半径 | 定格総荷重 | 作業半径 | 定格総荷重 | 作業半径 | 定格総荷重 | 作業半径 | 定格総荷重 | 作業半径 | ジブ角度         | 作業半径 | 定格総荷重 | 作業半径 | 定格総荷重 | 作業半径 | 定格総荷重 | 作業半径 | 定格総荷重 | 作業半径 | 定格総荷重         | 作業半径 | 定格総荷重 | 作業半径 | 定格総荷重 | 作業半径 | 定格総荷重 | 作業半径 | 定格総荷重 | 作業半径 | 定格総荷重 |     |  |  |  |  |  |  |  |  |
| 83.5         | 5.7  | 3.80  | 8.3  | 2.70  | 10.2 | 1.80  | 11.1 | 1.00  | 83.5 | 7.0           | 2.60 | 10.9  | 1.40 | 14.0  | 0.90 | 15.5  | 0.50 | 83.5  | 6.3  | 3.50         | 8.8  | 2.40  | 10.6 | 1.60  | 11.5 | 1.00  | 83.5 | 7.4   | 2.50 | 11.3          | 1.40 | 14.4  | 0.90 | 15.9  | 0.50 |       |      |       |      |       |     |  |  |  |  |  |  |  |  |
| 76.0         | 13.0 | 3.80  | 15.2 | 2.70  | 16.6 | 1.80  | 17.2 | 1.00  | 76.0 | 14.9          | 2.60 | 18.3  | 1.40 | 20.8  | 0.90 | 21.6  | 0.50 | 76.0  | 14.2 | 3.50         | 16.4 | 2.40  | 17.6 | 1.60  | 18.1 | 1.00  | 76.0 | 16.1  | 2.50 | 19.5          | 1.40 | 21.8  | 0.90 | 22.5  | 0.50 |       |      |       |      |       |     |  |  |  |  |  |  |  |  |
| 74.0         | 14.8 | 3.80  | 17.0 | 2.70  | 18.2 | 1.80  | 18.7 | 1.00  | 74.0 | 16.9          | 2.60 | 20.1  | 1.40 | 22.4  | 0.90 | 23.2  | 0.50 | 74.0  | 16.2 | 3.50         | 18.2 | 2.40  | 19.3 | 1.60  | 19.7 | 1.00  | 74.0 | 18.3  | 2.50 | 21.5          | 1.40 | 23.6  | 0.90 | 24.2  | 0.50 |       |      |       |      |       |     |  |  |  |  |  |  |  |  |
| 72.0         | 16.6 | 3.75  | 18.7 | 2.70  | 19.7 | 1.80  | 20.1 | 1.00  | 72.0 | 18.9          | 2.60 | 21.9  | 1.40 | 24.1  | 0.90 | 24.7  | 0.50 | 72.0  | 17.9 | 3.25         | 20.0 | 2.40  | 21.1 | 1.60  | 21.3 | 1.00  | 72.0 | 20.5  | 2.50 | 23.4          | 1.40 | 25.4  | 0.90 | 25.8  | 0.50 |       |      |       |      |       |     |  |  |  |  |  |  |  |  |
| 70.0         | 18.3 | 3.40  | 20.3 | 2.65  | 21.2 | 1.80  | 21.5 | 1.00  | 70.0 | 20.7          | 2.40 | 23.7  | 1.35 | 25.7  | 0.90 | 26.1  | 0.50 | 70.0  | 19.7 | 2.90         | 21.7 | 2.30  | 22.7 | 1.60  | 22.8 | 1.00  | 70.0 | 22.3  | 2.25 | 25.2          | 1.35 | 27.0  | 0.90 | 27.3  | 0.50 |       |      |       |      |       |     |  |  |  |  |  |  |  |  |
| 68.0         | 19.9 | 3.05  | 21.9 | 2.45  | 22.6 | 1.80  | 22.9 | 1.00  | 68.0 | 22.4          | 2.20 | 25.4  | 1.30 | 27.2  | 0.90 | 27.5  | 0.50 | 68.0  | 21.2 | 2.60         | 23.3 | 2.10  | 24.3 | 1.60  | 24.3 | 1.00  | 68.0 | 24.2  | 2.05 | 26.8          | 1.30 | 28.7  | 0.90 | 28.9  | 0.50 |       |      |       |      |       |     |  |  |  |  |  |  |  |  |
| 65.0         | 22.2 | 2.70  | 24.0 | 2.15  | 24.9 | 1.80  | 25.0 | 1.00  | 65.0 | 25.1          | 2.00 | 27.7  | 1.20 | 29.5  | 0.90 | 29.6  | 0.50 | 65.0  | 23.7 | 2.20         | 25.6 | 1.85  | 26.5 | 1.60  | 26.5 | 1.00  | 65.0 | 26.7  | 1.75 | 29.4          | 1.20 | 30.9  | 0.90 | 31.0  | 0.50 |       |      |       |      |       |     |  |  |  |  |  |  |  |  |
| 60.0         | 25.8 | 2.10  | 27.4 | 1.80  | 28.3 | 1.70  | 28.3 | 1.00  | 60.0 | 29.0          | 1.65 | 31.5  | 1.15 | 33.0  | 0.90 | 32.9  | 0.50 | 60.0  | 27.5 | 1.70         | 29.1 | 1.45  | 30.0 | 1.40  | 30.0 | 1.00  | 60.0 | 30.8  | 1.35 | 33.4          | 1.10 | 34.4  | 0.90 | 34.3  | 0.50 |       |      |       |      |       |     |  |  |  |  |  |  |  |  |
| 55.0         | 29.3 | 1.70  | 30.6 | 1.50  | 31.2 | 1.40  |      |       | 55.0 | 32.7          | 1.30 | 35.0  | 1.05 | 35.9  | 0.90 |       |      | 55.0  | 30.9 | 1.25         | 32.5 | 1.10  | 33.1 | 1.10  |      |       | 55.0 | 34.5  | 1.00 | 37.0          | 0.90 | 37.6  | 0.90 |       |      |       |      |       |      |       |     |  |  |  |  |  |  |  |  |
| 53.0         | 30.6 | 1.55  | 31.8 | 1.40  | 32.3 | 1.30  |      |       | 53.0 | 34.1          | 1.20 | 36.3  | 1.00 | 37.0  | 0.90 |       |      | 53.0  | 32.4 | 1.15         | 33.8 | 1.00  | 34.4 | 1.00  |      |       | 53.0 | 35.9  | 0.90 | 38.3          | 0.80 | 38.8  | 0.75 |       |      |       |      |       |      |       |     |  |  |  |  |  |  |  |  |
| 50.0         | 32.1 | 1.20  | 33.4 | 1.10  | 33.9 | 1.10  |      |       | 50.0 | 35.9          | 1.00 | 38.0  | 0.85 | 38.6  | 0.80 |       |      | 50.0  | 34.2 | 0.90         | 35.6 | 0.85  | 35.9 | 0.80  |      |       | 50.0 | 37.9  | 0.75 | 40.1          | 0.65 | 40.5  | 0.60 |       |      |       |      |       |      |       |     |  |  |  |  |  |  |  |  |
| 47.0         | 33.7 | 0.85  | 35.0 | 0.80  | 35.3 | 0.80  |      |       | 47.0 | 37.6          | 0.70 | 39.7  | 0.65 | 39.9  | 0.60 |       |      | 47.0  | 35.9 | 0.60         | 37.2 | 0.55  | 37.4 | 0.55  |      |       | 47.0 | 39.9  | 0.50 | 41.9          | 0.40 | 42.1  | 0.40 |       |      |       |      |       |      |       |     |  |  |  |  |  |  |  |  |
| 45.0         | 34.8 | 0.85  | 36.0 | 0.60  | 36.2 | 0.60  |      |       | 45.0 | 38.8          | 0.55 | 40.7  | 0.50 | 40.8  | 0.45 |       |      | 45.0  | 37.1 | 0.45         | 38.3 | 0.40  | 3.4  | 0.40  |      |       |      |       |      |               |      |       |      |       |      |       |      |       |      |       |     |  |  |  |  |  |  |  |  |
| ☆            | 44°  |       |      |       |      |       |      |       |      | ☆             | 59°  |       |      |       |      |       |      |       |      | ☆            | 44°  |       |      |       |      |       |      |       |      | ☆             | 59°  |       |      |       |      |       |      |       |      | ☆     | 69° |  |  |  |  |  |  |  |  |

◆ 最小直角通路幅



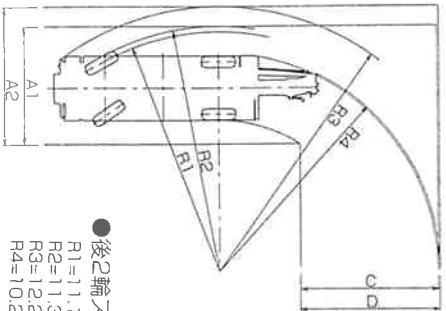
● 前2輪ステアリングで右折する場合

- R1=11.10m (最小回転半径)
- R2=11.35m (最外輪端回転半径)
- R3=12.25m (車体回転半径)
- R4=13.47m (ブーム先端回転半径)
- A=5.87m (入口通路幅)
- B=5.87m (車体出口通路幅)
- C=6.77m (車体出口通路幅)
- D=7.98m (ブーム先端出口通路幅)



● 4輪ステアリングで右折する場合

- R1=6.44m (最小回転半径)
- R2=6.69m (最外輪端回転半径)
- R3=7.58m (車体回転半径)
- R4=8.96m (ブーム先端回転半径)
- A1=3.86m (車体入口通路幅)
- A2=5.37m (車体入口通路幅)
- B=3.86m (車体出口通路幅)
- C=5.37m (車体出口通路幅)
- D=6.74m (ブーム先端出口通路幅)



● 後2輪ステアリングで右折する場合

- R1=11.10m (最小回転半径)
- R2=11.35m (最外輪端回転半径)
- R3=12.27m (車体回転半径)
- R4=10.22m (ブーム先端回転半径)
- A1=5.45m (車体入口通路幅)
- A2=6.36m (車体入口通路幅)
- C=6.36m (車体出口通路幅)
- D=6.45m (ブーム先端出口通路幅)